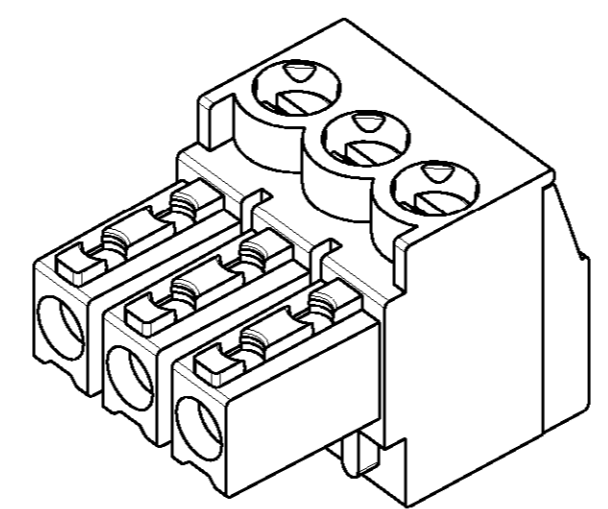
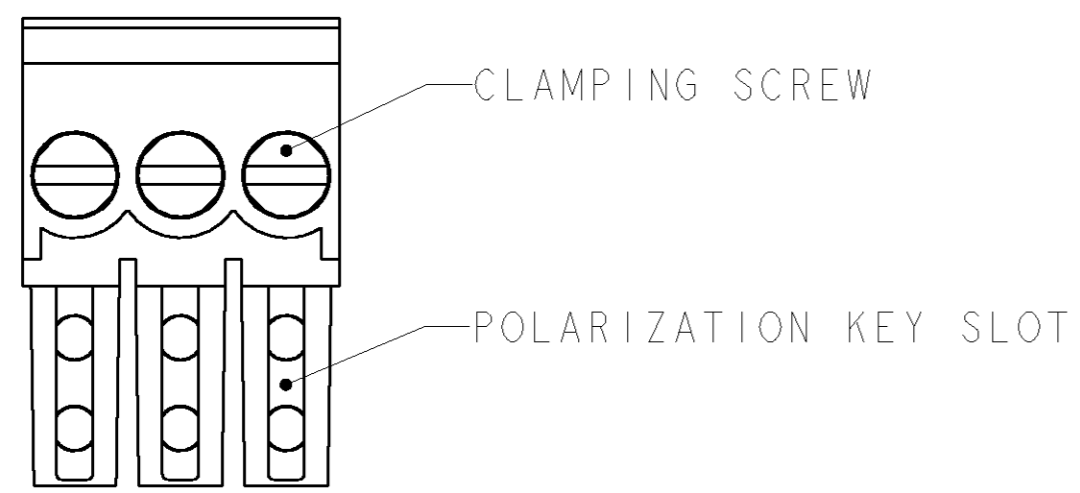
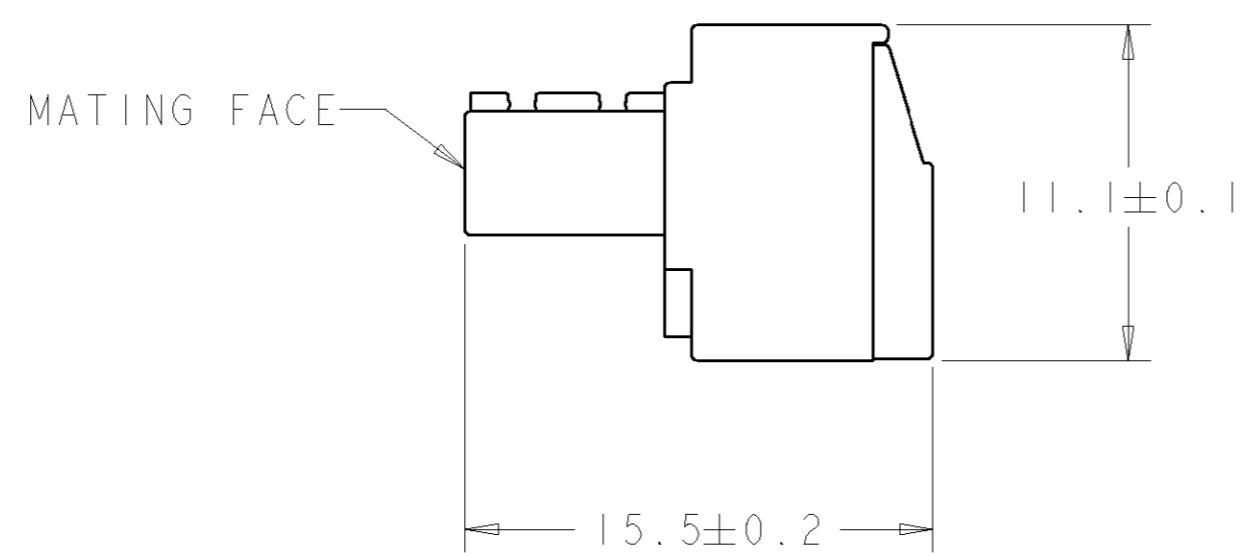
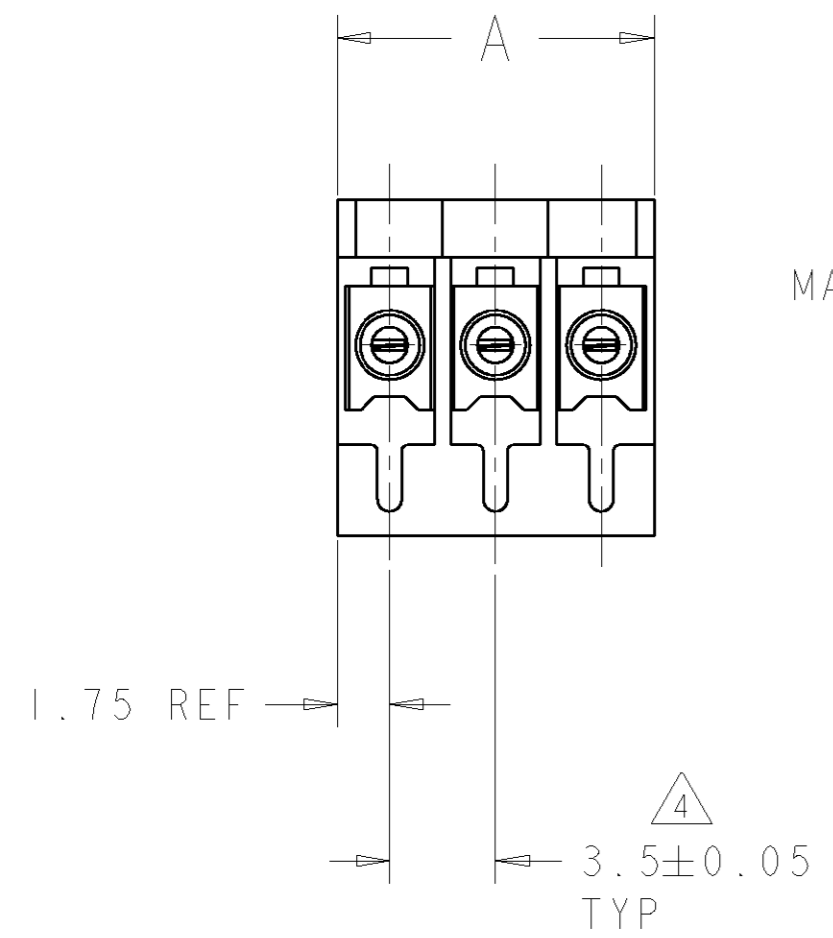


THIS DRAWING IS UNPUBLISHED. RELEASED FOR PUBLICATION 20  
 © COPYRIGHT 20 BY TYCO ELECTRONICS CORPORATION. ALL RIGHTS RESERVED.

LOC	DIST	REVISIONS					
FT	0	P	LTR	DESCRIPTION	DATE	DWN	APVD
		A		RELEASED	27NOV2000	-	-
		B		REVISED EC 0G3B-0518-01	14NOV2001	SW	DB



796693-3 AS SHOWN



SEE SHEET 2	31.5	9	3-796693-9
SEE SHEET 2	14.0	4	3-796693-4
SEE SHEET 2	35.0	10	3-796693-0
-	87.5	25	2-796693-5
-	84.0	24	2-796693-4
-	80.5	23	2-796693-3
-	77.0	22	2-796693-2
-	73.5	21	2-796693-1
-	70.0	20	2-796693-0
-	66.5	19	1-796693-9
-	63.0	18	1-796693-8
-	59.5	17	1-796693-7
-	56.0	16	1-796693-6
-	52.5	15	1-796693-5
-	49.0	14	1-796693-4
-	45.5	13	1-796693-3
-	42.0	12	1-796693-2
-	38.5	11	1-796693-1
-	35.0	10	1-796693-0
-	31.5	9	796693-9
-	28.0	8	796693-8
-	24.5	7	796693-7
-	21.0	6	796693-6
-	17.5	5	796693-5
-	14.0	4	796693-4
-	10.5	3	796693-3
-	7.0	2	796693-2
INK STAMPING	A	NO. OF POSN	PART NUMBER

1. MATERIALS AND FINISH:  
 HOUSING : PA 6.6, UL 94-V0, COLOR: BLUE.  
 CLAMP : BRASS, NICKEL PLATED  
 TERMINAL : BRASS, TIN PLATED  
 CONTACT SPRING : PHOSPHOR BRONZE, TIN PLATED  
 CLAMPING SCREW : M2, BRASS, NICKEL PLATED
2. END-TO-END STACKABLE WITHOUT LOSS OF CENTERLINE SPACING
3. WIRE SIZE RANGE: 14-30 AWG (UL APPROVAL)
4. NOT CUMULATIVE TOLERANCE.
5. CHARACTERS INK STAMPED AS SHOWN, COLOR: WHITE.

THIS DRAWING IS A CONTROLLED DOCUMENT FOR TYCO ELECTRONICS CORPORATION IT IS SUBJECT TO CHANGE AND THE CONTROLLING ENGINEERING ORGANIZATION SHOULD BE CONTACTED FOR THE LATEST REVISION.		DWN S. WELDON 27NOV2000	Tyco Electronics Harrisburg, PA 17105-3608	
DIMENSIONS: mm		CHK D. BIEVENOUR 27NOV2000	BUCHANAN	
TOLERANCES UNLESS OTHERWISE SPECIFIED: 0 PLC ± 1 PLC ± 2 PLC ± 3 PLC ± 4 PLC ± ANGLES ±		APVD D. BIEVENOUR 27NOV2000	NAME TERMI BLOK, PLUG, STACKING 3.5 mm PITCH	
MATERIAL		PRODUCT SPEC 108-20166	SIZE A2	CAGE CODE 00779
FINISH		APPLICATION SPEC 114-20079	DRAWING NO 796693	RESTRICTED TO -
FINISH		WEIGHT -	SCALE 4:1 SHEET 1 OF 2 REV B	
FINISH		CUSTOMER DRAWING		

4

3

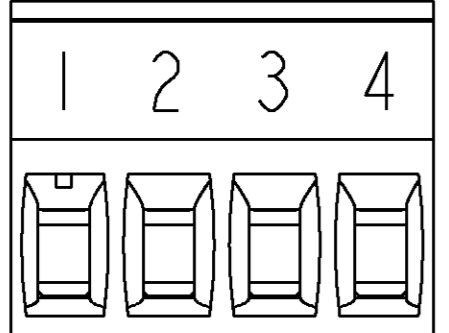
2

1

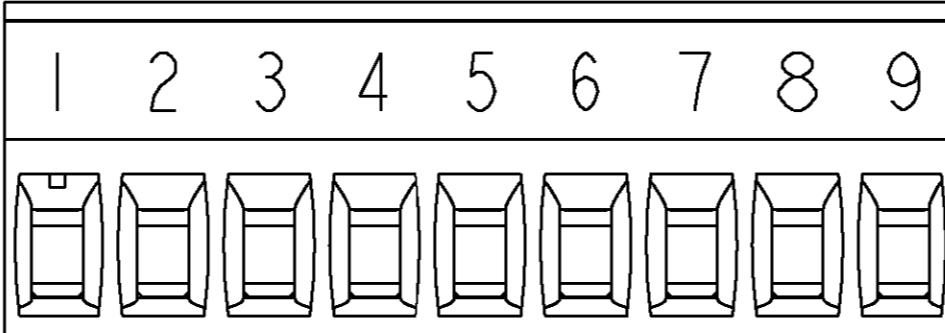
THIS DRAWING IS UNPUBLISHED.      RELEASED FOR PUBLICATION      20

© COPYRIGHT 20      BY TYCO ELECTRONICS CORPORATION. ALL RIGHTS RESERVED.

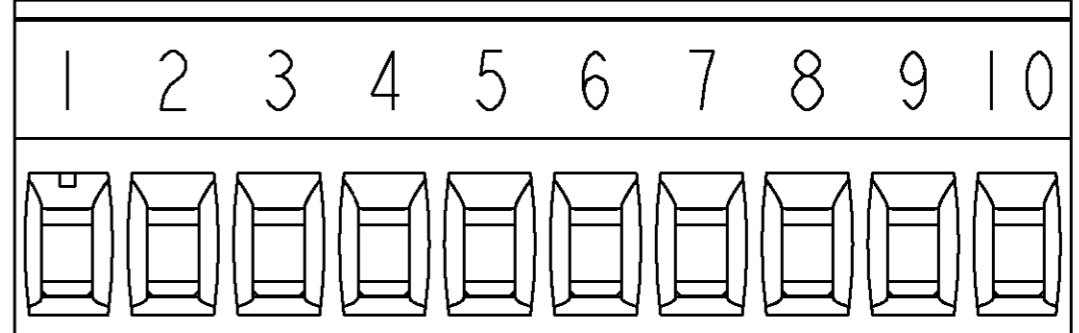
LOC	DIST	REVISIONS					
FT	0	P	LTR	DESCRIPTION	DATE	DWN	APVD
		-		SEE SHEET 1	-	-	-



3-796693-4 AS SHOWN  $\triangle$ 5



3-796693-9 AS SHOWN  $\triangle$ 5



3-796693-0 AS SHOWN  $\triangle$ 5

<small>THIS DRAWING IS A CONTROLLED DOCUMENT FOR TYCO ELECTRONICS CORPORATION IT IS SUBJECT TO CHANGE AND THE CONTROLLING ENGINEERING ORGANIZATION SHOULD BE CONTACTED FOR THE LATEST REVISION.</small>		DWN <u>S. WELDON</u> 27NOV2000 CHK <u>D. BIEVENOUR</u> 27NOV2000 APVD <u>D. BIEVENOUR</u> 27NOV2000	<b>BUCHANAN</b> Tyco Electronics Harrisburg, PA 17105-3608
DIMENSIONS: mm	TOLERANCES UNLESS OTHERWISE SPECIFIED: 0 PLC ± 1 PLC ± 2 PLC ± 3 PLC ± 4 PLC ± ANGLES ± FINISH -	PRODUCT SPEC - APPLICATION SPEC - WEIGHT -	NAME TERMINAL BLOCK, PLUG, STACKING 3.5 mm PITCH
MATERIAL -		CUSTOMER DRAWING	SIZE A2 CAGE CODE 00779 DRAWING NO. 796693 RESTRICTED TO - SCALE 4:1 SHEET 2 OF 2 REV B